

CHARLOTTE BILTGEN

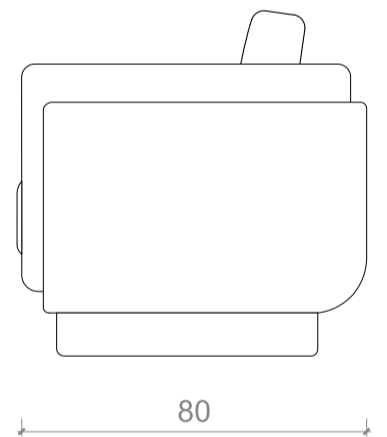
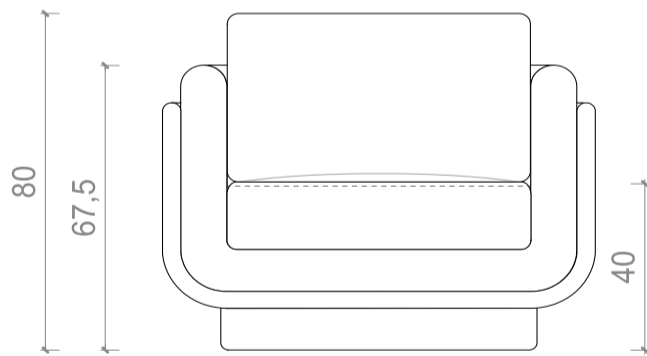
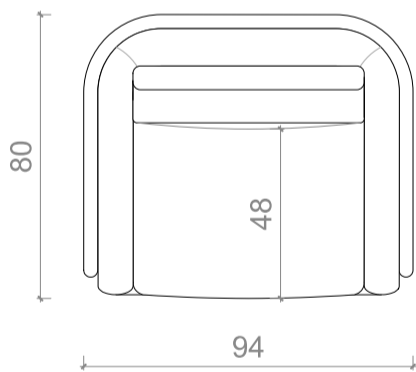


EBISU Armchair

VELVET & LEATHER

Dimensions

L 94cm – D 80cm – Arm Height 67.5 cm - H 80 cm (with back cushion) - seating height 40 cm
L 37" – D 31,5" – Arm Height 26.4" - H 31.5"(with back cushion) - seating height 15.75"



Option : swivel

Materials

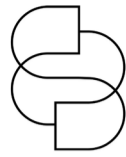


Inside & cushions :
Velvet -
DEDAR -
Vladimiro



Outside and base :
Leather -
TOUCH

SHOWROOM COURCELLES



CHARLOTTE BILTGEN

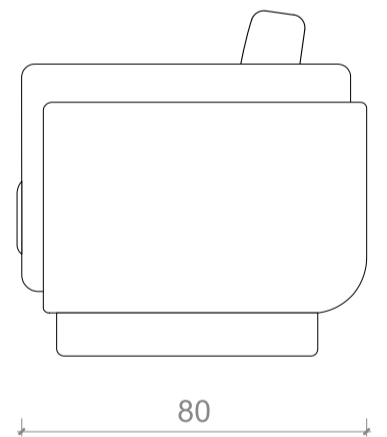
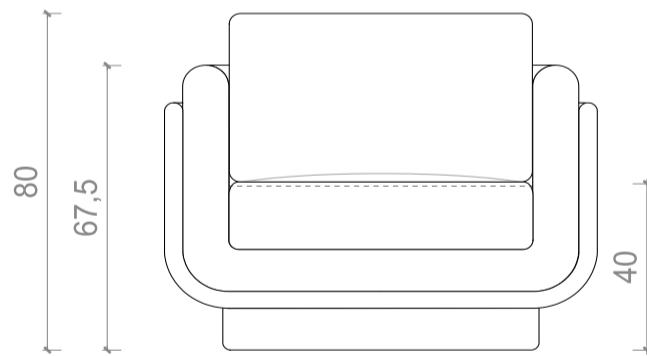
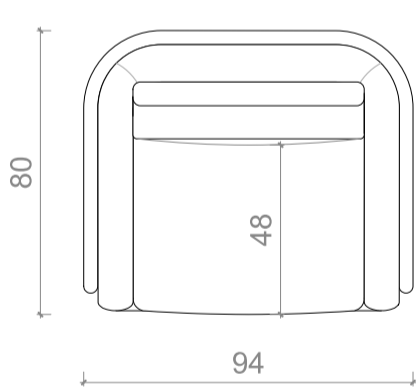


EBISU Armchair

FABRIC & LEATHER

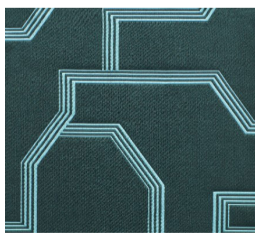
Dimensions

L 94cm – D 80cm – Arm Height 67.5 cm - H 80 cm (with back cushion) - seating height 40 cm
L 37" – D 31,5" – Arm Height 26.4" - H 31.5"(with back cushion) - seating height 15.75"



Option : swivel

Materials



Inside & cushions :
Pattern fabric -
DEDAR -
Andirivieni 005

Outside and base :
Leather -
VISION -
Foresta

SHOWROOM COURCELLES



CHARLOTTE BILTGEN

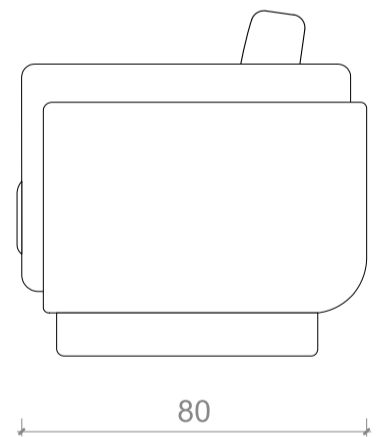
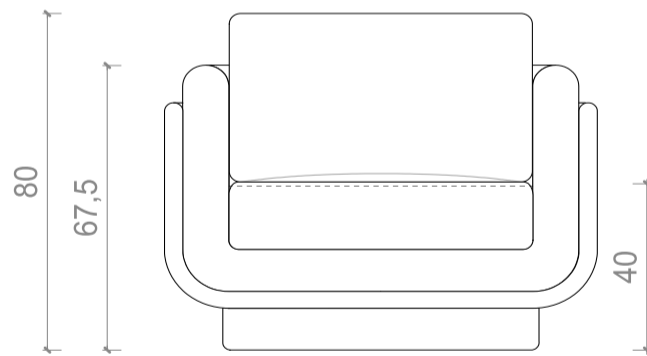
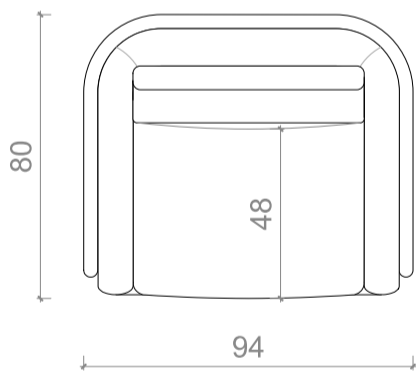


EBISU Armchair

WOOL TERRY

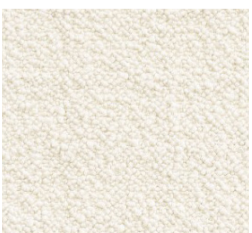
Dimensions

L 94cm – D 80cm – Arm Height 67.5 cm - H 80 cm (with back cushion) - seating height 40 cm
L 37" – D 31,5" – Arm Height 26.4" - H 31.5"(with back cushion) - seating height 15.75"



Option : swivel

Materials



Inside & outside :
Wool Terry -
DEDAR -
Karakorum - Ivory



Inside & outside :
Wool Terry -
BISSON BRUNEEL -
Bergamo

SHOWROOM COURCELLES